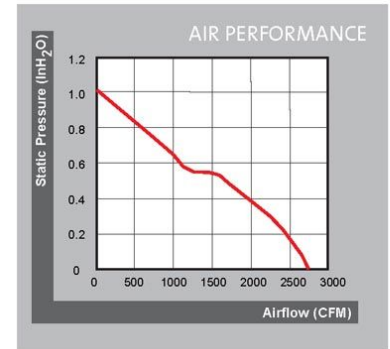
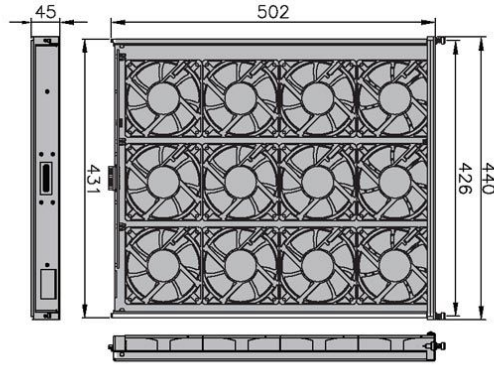


FAN TRAY | 12 pcs axial fan



Model	Rating Voltage (VDC)	Rating Current (Amp)	Power Consumption (Watt)	Speed (RPM)	Air Flow (CFM)	Static Pressure (Inch-H ₂ O)	Noise (dBA)
12 FAN TYPE FD12112-XXXX	12	36	432	6000	2750	1.02	40.0

● Specifications are subject to change without notice. Specifications in this catalog are for reference. For more product information, please contact your SUNON sales representative.

Fan Tray Features

- Communication : I²C interface
- EMC
- Advantage :
 - *Soft Start.
 - *Hot Swappable Function.
 - *Reverse Polarity Protection.
 - *Over Voltage Protection.
 - *Inrush Current Protection.
 - *Over Current Protection.
 - *Linear or Step Speed Change.
 - *Control Fan Speed with Ambient Temperature.
 - *PWM or Voltage Speed Control.
 - *Redundancy Function.
 - *LED Display Fan Tray Health Status.
 - *EEPROM for e-ID.
 - *Thermal Sensor Fail and Fan Fail Alarm Signal Output.

Sunon Fan Tray Capability

- ODM & OEM Design
- Industry/ Telecom (Indoor & outdoor) & Networking and other application
- CAE Capability to Optimal System Cooling Design
- Widely Applicative Fan : 12V / 24V / 48V / 72V
- 100% Burn In Testing & Monitor Equipment
- Flexible Manufacture
- Communication : I²C interface
- Traceability
- 100% Auto Function Testing
- Safety Compliance : UL/CUL/TUV/VDE/CE